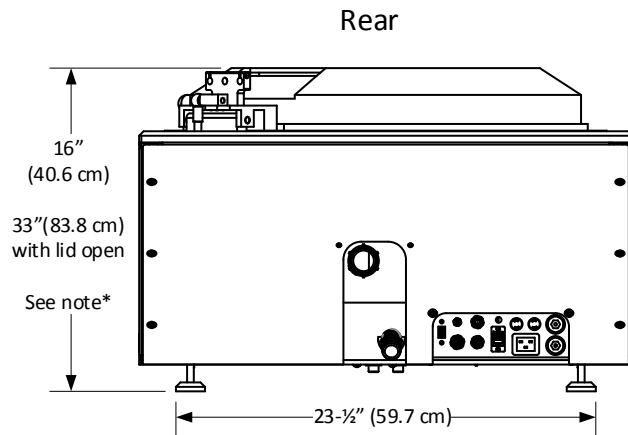
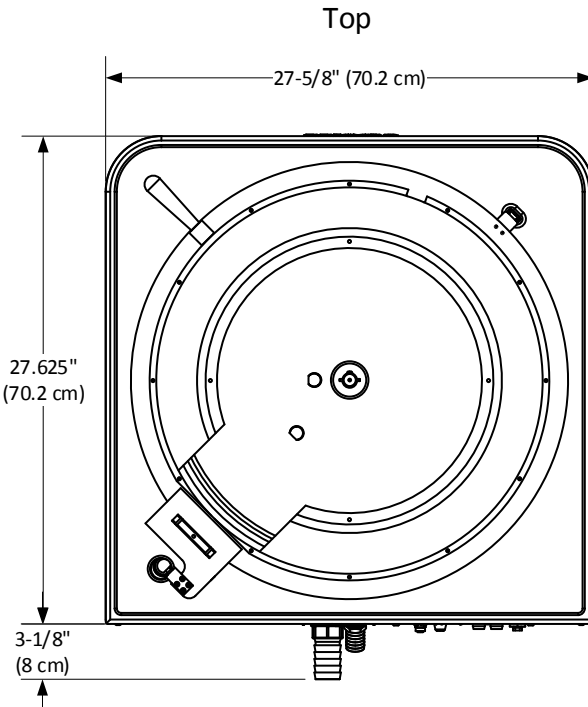


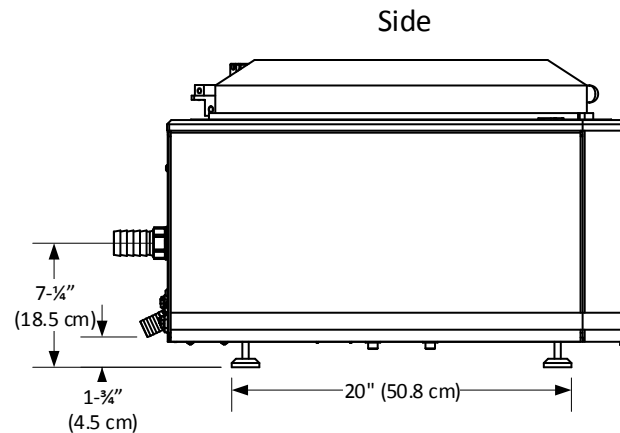
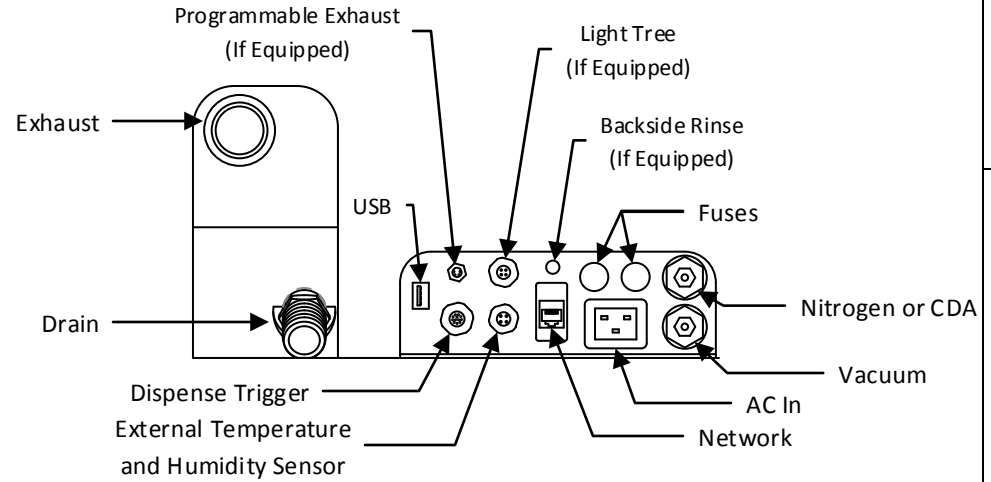
Note: Dimensions are for standard equipment and may vary with added accessories.



* With optional chimney hood, H is 24-3/4" (62.9cm) closed and 36" (91.5cm) open

Required Utilities:

Nitrogen or CDA	1/4" NPT female thread	70 PSI (482 kPa)
Vacuum	1/4" NPT female thread	> 20" Hg Vacuum (< 33 kPa abs)
Drain	3/4" OD tube	
Exhaust	1.5" OD tube	20-50cfm at 0.2" water (0.6-1.4 cubic meter/min)
Electrical	Cord provided	208-240VAC, 1 Phase, 50/60 Hz, 1440W (6A)
DI water for developer spray and backside rinse (if hard-plumbed)	1/8" Compression Fitting	< 30 psi (206.8 kPa)



Apogee 450 Developer Utilities



Cost Effective Equipment
3703 HyPoint Blvd
Rolla, MO 65401
Phone: (573) 466-4300

Published 10/23/2019 - Rev A

THESE DRAWINGS/SPECIFICATIONS ARE THE EXCLUSIVE PROPERTY OF COST EFFECTIVE EQUIPMENT, LLC. THEY SHALL NOT BE REPRODUCED OR COMMUNICATED TO OTHERS, IN WHOLE OR IN PART, NOR BE USED AS A BASIS FOR MANUFACTURE OR SALE OF THE ITEMS REPRESENTED, WITHOUT THE WRITTEN PERMISSION OF COST EFFECTIVE EQUIPMENT, LLC.