

DIMENSIONS ARE INCHES

# X-PRO II

37

64

85  
TO TOP  
OF SASH  
WHEN FULL  
OPEN

76  
TO TOP  
OF EXHAUST  
HOOD

8" OD  
EXHAUST  
PORT

8" OD  
EXHAUST  
PORT

BREAKER

OPTIONAL FAN FILTER UNIT  
POWER

SYSTEM POWER

SYSTEM VACUUM

SYSTEM NITROGEN

ETHERNET


### Required Utilities:

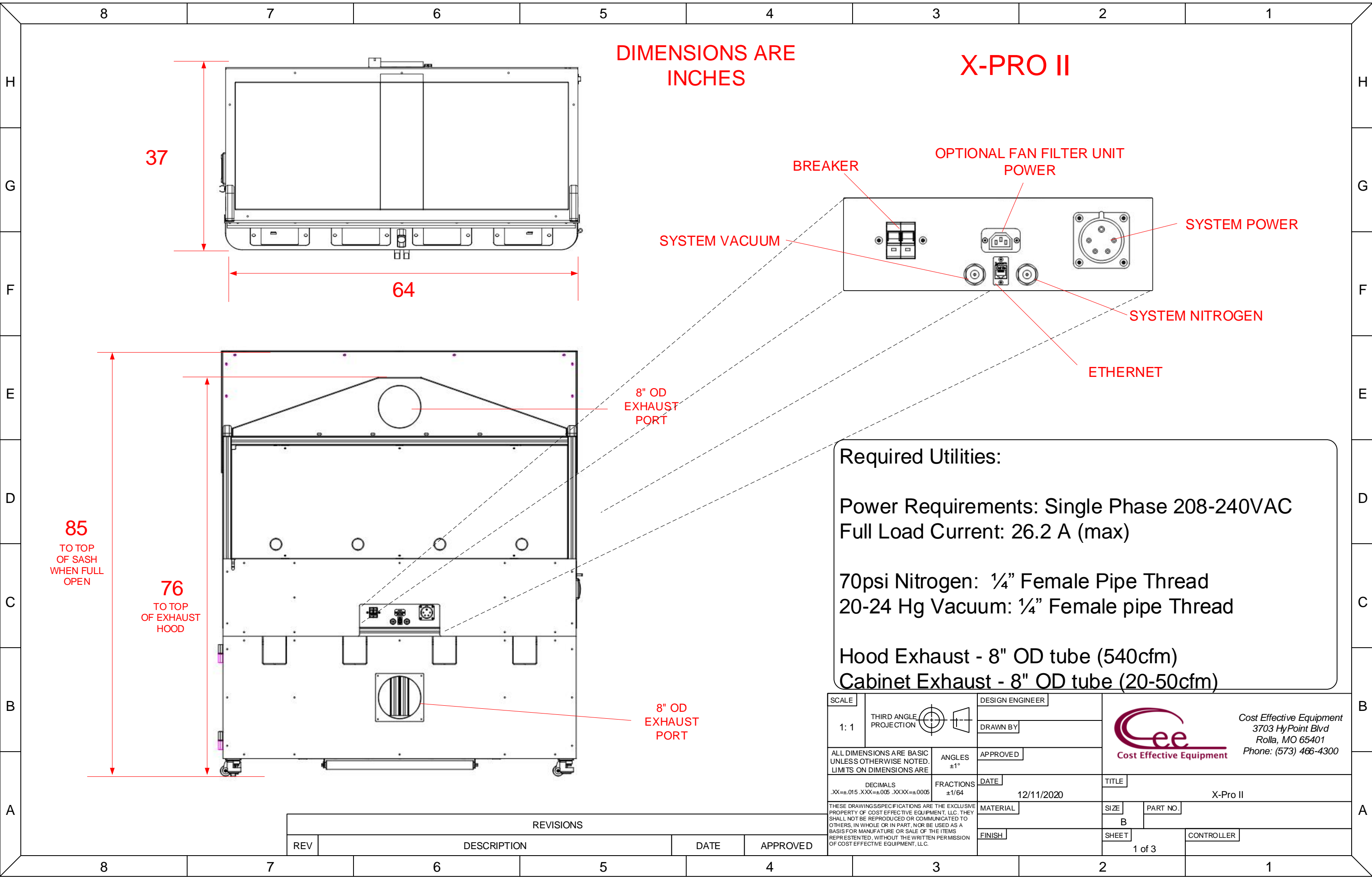
Power Requirements: Single Phase 208-240VAC  
Full Load Current: 26.2 A (max)

70psi Nitrogen: 1/4" Female Pipe Thread  
20-24 Hg Vacuum: 1/4" Female pipe Thread

Hood Exhaust - 8" OD tube (540cfm)

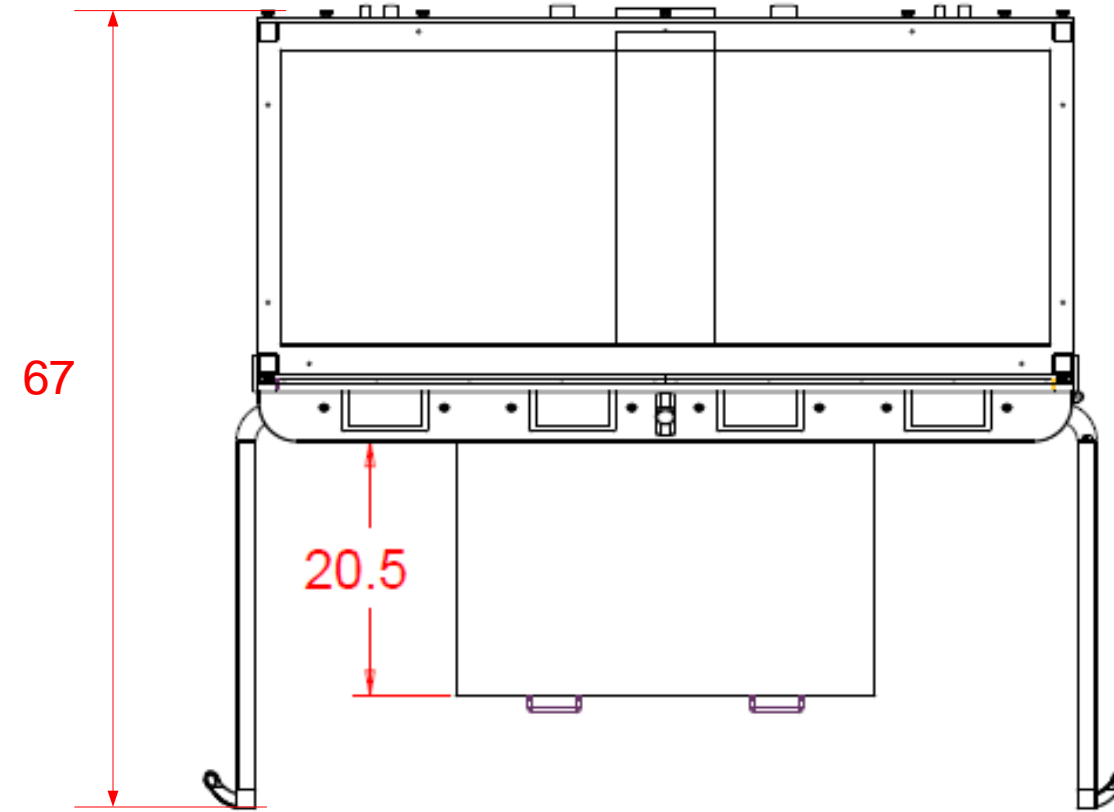
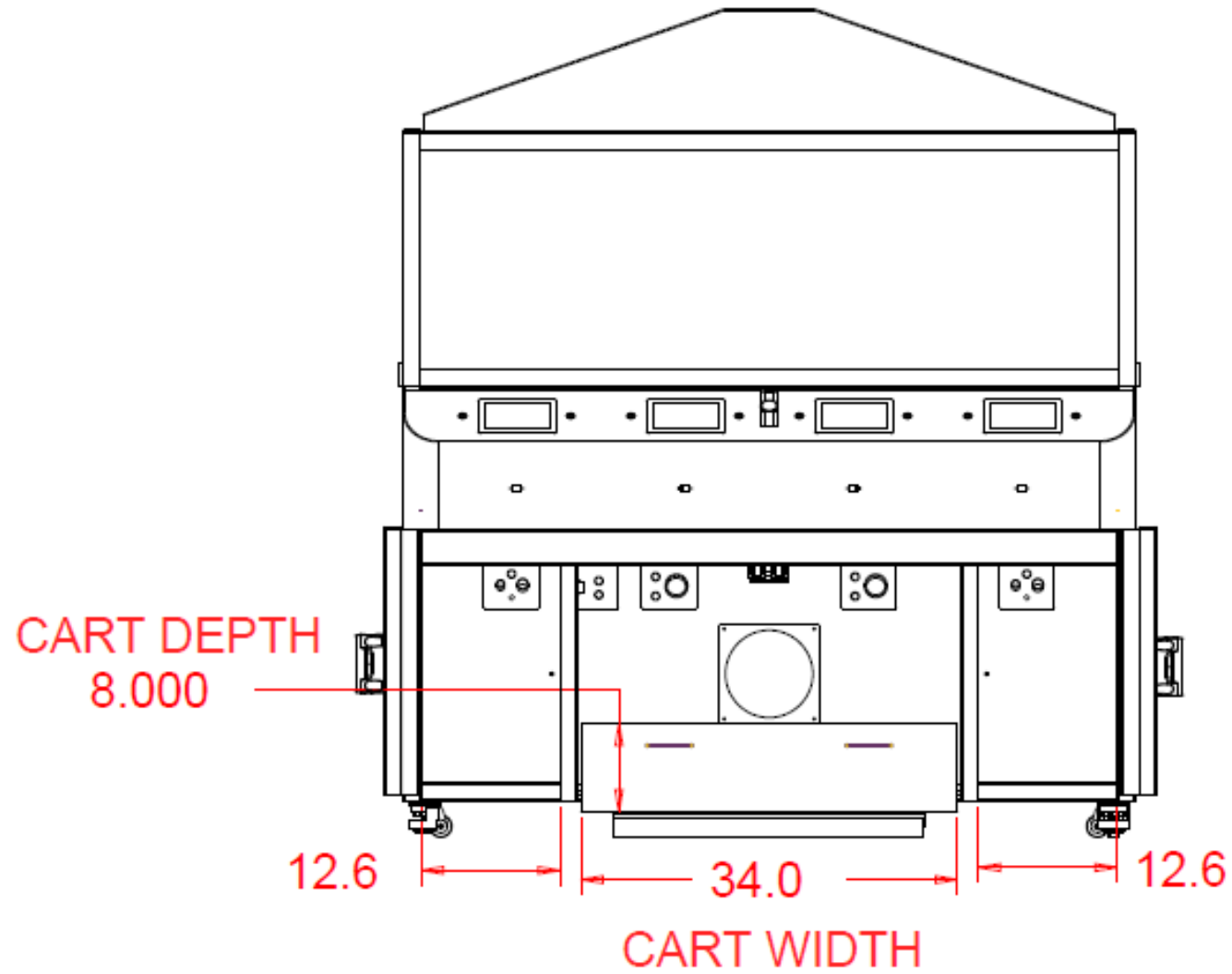
Cabinet Exhaust - 8" OD tube (20-50cfm)


SCALE 1:1	THIRD ANGLE PROJECTION	DESIGN ENGINEER	 Cost Effective Equipment 3703 HyPoint Blvd Rolla, MO 65401 Phone: (573) 466-4300
ALL DIMENSIONS ARE BASIC UNLESS OTHERWISE NOTED. LIMITS ON DIMENSIONS ARE		DRAWN BY	
DECIMALS .XX±.015 .XXX±.005 .XXX±.0005	ANGLES ±1°	APPROVED	TITLE X-Pro II
THESE DRAWINGS/SPECIFICATIONS ARE THE EXCLUSIVE PROPERTY OF COST EFFECTIVE EQUIPMENT, LLC. THEY SHALL NOT BE REPRODUCED OR COMMUNICATED TO OTHERS, IN WHOLE OR IN PART, NOR BE USED AS A BASIS FOR MANUFACTURE OR SALE OF THE ITEMS REPRESENTED, WITHOUT THE WRITTEN PERMISSION OF COST EFFECTIVE EQUIPMENT, LLC.		DATE 12/11/2020	SIZE B
REVISIONS		MATERIAL	PART NO.
REV	DESCRIPTION	FINISH	SHEET 1 of 3
DATE	APPROVED	CONTROLLER	



DIMENSIONS ARE  
INCHES

X-PRO II WITH CART



SCALE 1:1	THIRD ANGLE PROJECTION	DESIGN ENGINEER	 Cost Effective Equipment 3703 HyPoint Blvd Rolla, MO 65401 Phone: (573) 466-4300
ALL DIMENSIONS ARE BASIC UNLESS OTHERWISE NOTED. LIMITS ON DIMENSIONS ARE	ANGLES ±1°	DRAWN BY	
DECIMALS .XX=±.015 .XXX=±.005 .XXXX=±.0005	FRACTIONS ±1/64	APPROVED	TITLE X-Pro II
THESE DRAWINGS/SPECIFICATIONS ARE THE EXCLUSIVE PROPERTY OF COST EFFECTIVE EQUIPMENT, LLC. THEY SHALL NOT BE REPRODUCED OR COMMUNICATED TO OTHERS, IN WHOLE OR IN PART, NOR BE USED AS A BASIS FOR MANUFACTURE OR SALE OF THE ITEMS REPRESENTED, WITHOUT THE WRITTEN PERMISSION OF COST EFFECTIVE EQUIPMENT, LLC.		DATE 12/11/2020	SIZE B
REVISIONS		MATERIAL	PART NO.
REV	DESCRIPTION	FINISH	SHEET 2 of 3
	DATE		CONTROLLER
	APPROVED		

8

7

6

5

4

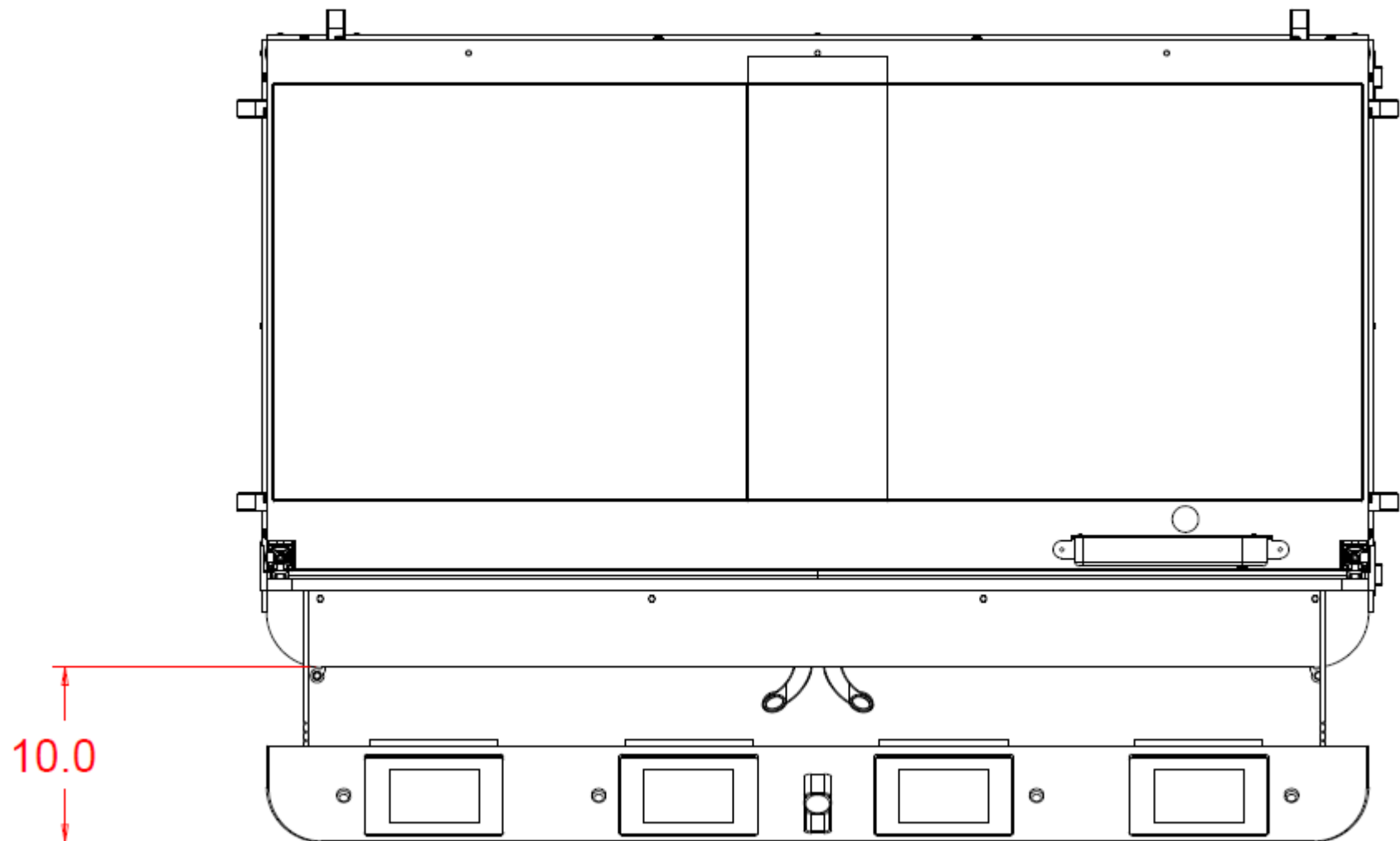
3

2

1

DIMENSIONS ARE INCHES

X-PRO II WITH FRONT PANEL PULLED OUT



10.0

SCALE 1:1	THIRD ANGLE PROJECTION	DESIGN ENGINEER	 Cost Effective Equipment 3703 HyPoint Blvd Rolla, MO 65401 Phone: (573) 466-4300												
ALL DIMENSIONS ARE BASIC UNLESS OTHERWISE NOTED. LIMITS ON DIMENSIONS ARE		DRAWN BY													
DECIMALS .XX=±.015 .XXX=±.005 .XXX=±.0005 FRACTIONS ±1/64		APPROVED	TITLE X-Pro II												
THESE DRAWINGS/SPECIFICATIONS ARE THE EXCLUSIVE PROPERTY OF COST EFFECTIVE EQUIPMENT, LLC. THEY SHALL NOT BE REPRODUCED OR COMMUNICATED TO OTHERS, IN WHOLE OR IN PART, NOR BE USED AS A BASIS FOR MANUFACTURE OR SALE OF THE ITEMS REPRESENTED, WITHOUT THE WRITTEN PERMISSION OF COST EFFECTIVE EQUIPMENT, LLC.		DATE 12/11/2020	SIZE B												
<table border="1"> <thead> <tr> <th colspan="4">REVISIONS</th> </tr> <tr> <th>REV</th> <th>DESCRIPTION</th> <th>DATE</th> <th>APPROVED</th> </tr> </thead> <tbody> <tr> <td> </td> <td> </td> <td> </td> <td> </td> </tr> </tbody> </table>		REVISIONS				REV	DESCRIPTION	DATE	APPROVED					MATERIAL	PART NO.
REVISIONS															
REV	DESCRIPTION	DATE	APPROVED												
		FINISH	SHEET 3 of 3												
			CONTROLLER												

8

7

6

5

4

3

2

1

H

G

F

E

D

C

B

A

H

G

F

E

D

C

B

A